



## Product range

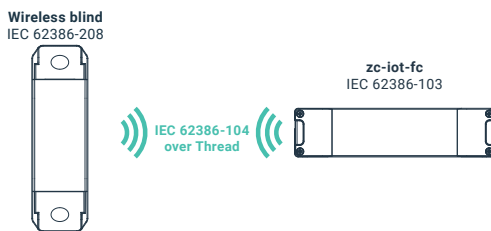
Order code	Description
zc-smart-blind	Wired / wireless blind controller

### Features

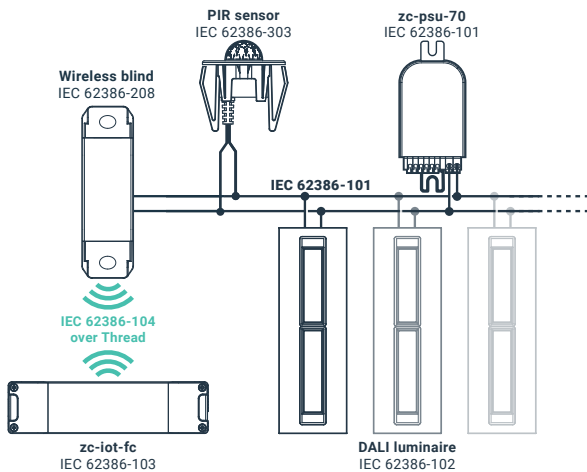
- For use with DALI control system
- Compatible with DALI and DALI-2
- Supports IEC 62386-104 over Thread®
- Compliant to IEC 62386-208
- Protected against DALI over voltage
- DALI device type 7

## System overview: modes

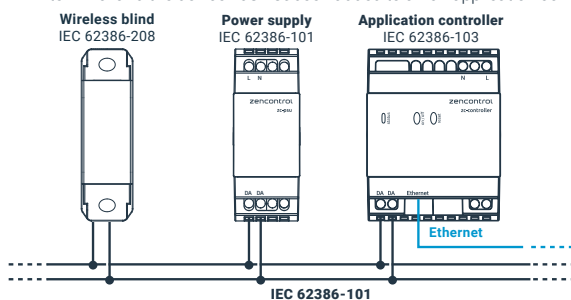
- 104 mode** is enabled after the device has been added to a 104 application controller such as zc-iot-fc.



- 104 + 101** Bridge mode is enabled after the device has been added to a 104 controller and a 101 power supply has been connected to the DALI terminals.



- 101 mode** is enabled after a 101 power supply has been connected to the DALI terminal and the device **has not** been added to a 104 application controller.

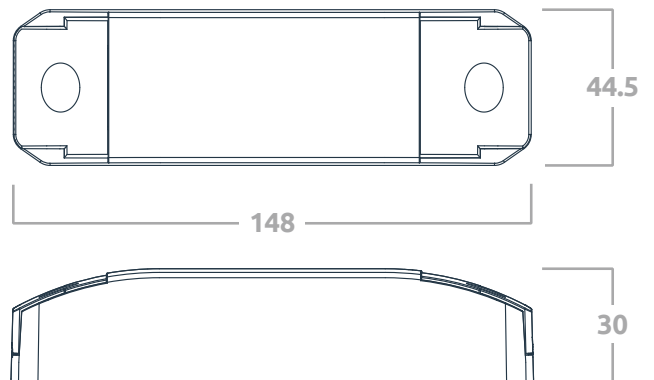


## Specifications

<b>Supply voltage</b>	230 V ~ 50 Hz	
<b>Control system</b>	Wired DALI-2 Wireless IEC62386-104 over Thread	
<b>Radio support</b>	IEEE 802.15.4	
<b>Frequency band</b>	2.4 GHz	
<b>Max radio tx power</b>	+8 dBm	
<b>DALI line current</b>	2 mA	
<b>Wiring</b>	1 - 4 mm <sup>2</sup> Strip 6 - 7 mm	
<b>Motor control</b>	375 W / ½ HP 1.6 A inductive load	
<b>Operating temperature</b>	0 to 55°C	
<b>Material</b>	PC	
<b>Classification</b>	Class II	
<b>Mounting</b>	Independently mounted control for surface mounting	
<b>Ingress protection</b>	IP20	
<b>Compliance standards</b>	IEC 60669-2-1 IEC 60950-1 IEC 62386-104 IEC 62386-208	EN 55015 EN 55022 CISPR 15

## Dimensions

<b>Fixing centres</b>	125 mm
<b>Dimensions</b>	W148 / H30 / D44.5 mm



## Wiring

