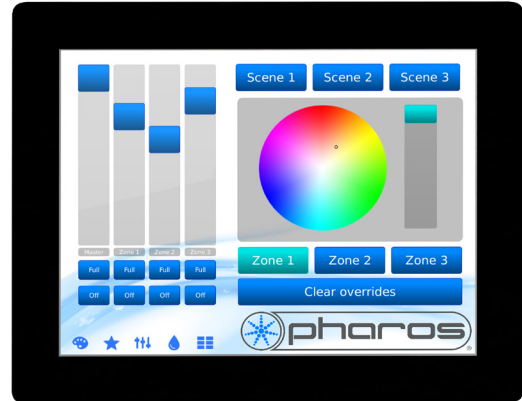




Touch Panel Station 8

The Pharos TPS 8 (Touch Panel Station 8") is a new, spacious, elegant interface with a customisable, 8" capacitive touchscreen, compatible with any Pharos Designer Controller.

The front panel is a seamless, uninterrupted glass plate available in Black and in White, giving an elegant touch experience, and superior aesthetics. And, with a unique and innovative universal mounting solution, the TPS 8 will be easy to wall mount in your installation, regardless of region.



TPS 8 Features



Touch Interface

The 8" vivid colour capacitive touchscreen makes navigating your project's controls appealing and intuitive. It's quick and easy to activate presets, manual overrides, or use a custom colour picker to personalise your lighting. The generous 8" screen provides plenty of real estate for laying out buttons, sliders and colour wheels. The TPS 8 puts control of the Pharos Designer system at your fingertips.



Customisable

Create your fully customisable user interface using the free Pharos Designer software. Create multiple pages of controls including buttons, sliders, keypads and colour pickers, and configure their appearance and visual feedback. Make it eye-catching by importing your own graphics or picking from one of our attractive themes, with support for extended character sets, such as Arabic, Chinese, Cyrillic, Japanese and Korean.



8"

Touchscreen Hardware

The TPS 8 is designed using the latest technology. The new IPS screens have a high DPI, with a resolution of 1024x768 in an 8" display. And, with new technology, comes greater responsiveness with the interface, enabling five-point multi-touch, giving smooth transitions, high screen fidelity and generous processing power, allowing freedom to load as many pages as needed.



Designer (v2.10 or later)

Create interface pages in Pharos Designer 2 at the same time you programme the controller, and upload in one simple operation.



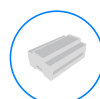
Installation

The TPS 8 ships with a new, innovative wall-mounting system. The Universal Mounting Plate can be fitted to a wide range of regulation backboxes, including UK, US and EU. The TPS 8 fits to the mounting plate via a bayonet twist system which is not immediately obvious to an observer. This keeps it securely fastened with a toolless installation, and the MicroSD card remains securely out of reach whilst installed.



Scalable

Multiple Touch Devices can be combined with one or more Pharos Designer Controllers on the same network to build the ideal system for your installation, with a maximum of 40 Controllers and Touch Devices in total. Each Touch Device is easily programmed using our Designer software.



Network

The TPS 8 requires any Pharos Designer Controller, and links to it using standard protocols over an Ethernet network.



Power-over-Ethernet

As a Power-over-Ethernet (PoE) device, the TPS 8 can be placed at any remote location and only needs a single Ethernet cable that provides both power and data.



Capabilities

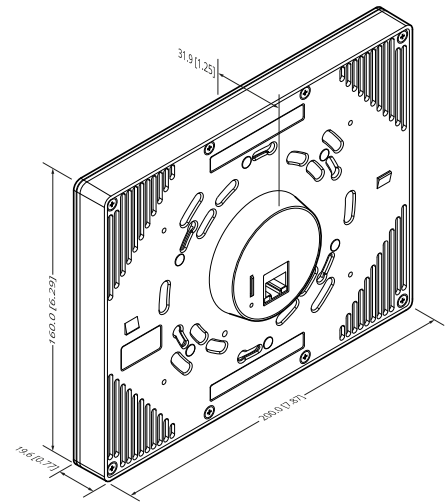
Orientation	Portrait or landscape
Layouts	Free editable layouts
Pages	Any number of pages, although performance may be affected by complexity and number
Navigation	Convenient and custom navigation via configurable navigation bars
Fonts	Custom font support, including fonts with extended character sets e.g. Arabic, Chinese, Cyrillic, Japanese and Korean.
Themes	Wide selection of themes available to download, or create your own with Designer's theme editor
Controls	A wide array of customisable buttons, sliders, colour pickers, labels, keypads and clocks
Flexible Integration	Fully integrated with Designer Trigger, so button states, graphics, and captions can change according to any number of preset triggers
Secure Access	Keypad for PIN-code entry; multiple user levels
Commissioning	Commissioned with Pharos Designer 2.10 or later

Interfaces

Ethernet	RJ45 socket for 10/100Base-TX Ethernet with Link/Data LEDs; Static IP or DHCP
Touchscreen	8" capacitive five-point multi-touch; 1024x768 24bpp; 500 cd/m ²

Specifications

Power Required	PoE (IEEE802.3af, Class 0), 10W typical
Configuration	Any Pharos Designer Controller
Data Storage	Pharos Designer 2.10 or later
Temperature	Removable MicroSD Card (supplied)
Humidity	0°C to 50°C (32°F to 122°F)
Ingress	10-90% relative, non-condensing
Physical	IP40
Shipping	Wall mounted, partly recessed with a custom mounting plate that supports UK & EU 2-gang 35mm, or US 2-gang and 3-gang 2.5" backbox (mounting plate included)
Recovery	20 x 16 x 3.2 cm (7.9 x 6.3 x 1.3 in) 0.7 kg (1.6 lbs) (ex. mounting plate)
	32 x 24 x 4.5 cm (12.6 x 9.4 x 1.7 in) 1.1 kg (2.5 lbs)
	Hardware watchdog and recessed reset button



Order Code & Variants

TPS 8 B	Designer Touch Panel Station 8" Black (Wall mount touchscreen interface)
TPS 8 W	Designer Touch Panel Station 8" White (Wall mount touchscreen interface)

Pharos Universal Mounting Plate 8" included

If no colour is specified, TPS 8 B will be shipped by default

Pharos Designer Controller required

Colour Information

Jet Black	Bayblend T65XF (UL94 HB) RAL 9005 jet black
Signal White	Bayblend T65XF (UL94 HB) RAL 9003 signal white

Warranty & Certifications

Warranty	5 years
Certifications	CE compliant, UKCA compliant, UL/cUL listed.

