

Product Specification Sheet

Lui Flood



The Philips Selecon Acclaim and Aurora ranges have a well-deserved reputation for delivering filter life up to double of that of some cyc floods.

Further developments of our heat exhaust /control system has resulted in LUI delivering industry leading filter life for their class and size.

Designed to withstand the most gruelling rental and production work and engineered from precision sheet metal and aluminium extrusions.

Features

The LUI range uses the 1000W K4 or the 625W P2/10 R7 (189mm) lamps.

Makes a very effective groundrow. Simply reverse the colour cassette by removing the two screw pivot hinges. Add screw jack feet for adjustment. See separate LUI Groundrow specification sheet for conversion details.

Make your own battens using the LUI slot lock joint system that allows a number of units to be locked together.

Re-lamp without having to remove the filter or break focus.

Filter holder is held captive by spring hinged extruded cover that also blocks unwanted light spill.

One handed operation only required to focus, change filters etc.

Mains Power Disconnect – a microswitch isolates the mains supply when opening to re-lamp (phase and neutral) protecting against a student or technician inserting a lamp into a live socket.

Safety glass ensures that in the unlikely event of a lamp exploding that the remains are held captive within the luminaire.

Shape the beam and contain glare with the four-door barndoor accessory – fits all models.

Lamps: 220V-240V

1000W K4	24,000 lumens	2000 hours average life
625W P2/10	16,250 lumens	150 hours average life

Order Codes

10LUIFLD1
LUI Flood 1 – 1000W

10LUIFLD3
LUI Flood 3-way Batten – 1000W, cable tails

10LUIFLD3G
LUI Flood 3-way Batten – 1000W, connector terminals

10LUIFLD4
LUI Flood 4-way Batten – 1000W, cable tails

10LUIFLD4G
LUI Flood 4-way Batten – 1000W, connector terminals

15HLGDSF
Groundrow screw jack feet (set of 2)

15HUIBD
Barndoor – 4 leaf

15HLJ
Joiner set (of 2) slot locks

15HLCF
Spare colour frame

Approvals

Fully tested and compliant to CE standards.

The Lui Flood is a high performance entertainment luminaire designed for entertainment and studio applications; it is not designed for continuous use as required for a work light or rehearsal light. For these applications please use the Lui Work Light.

Supplied by:

lightmoves

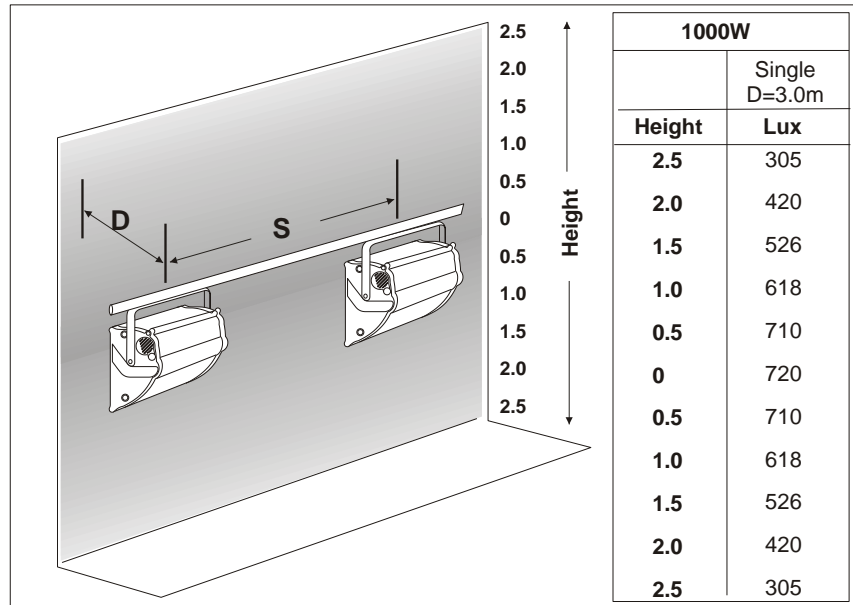
Melbourne
03 9701 2500

Sydney
02 9737 8988

info@lightmoves.com.au www.lightmoves.com.au

Photometric Data

Tests conducted using standard R7 189mm double-ended linear lamps: 1000W 240V.

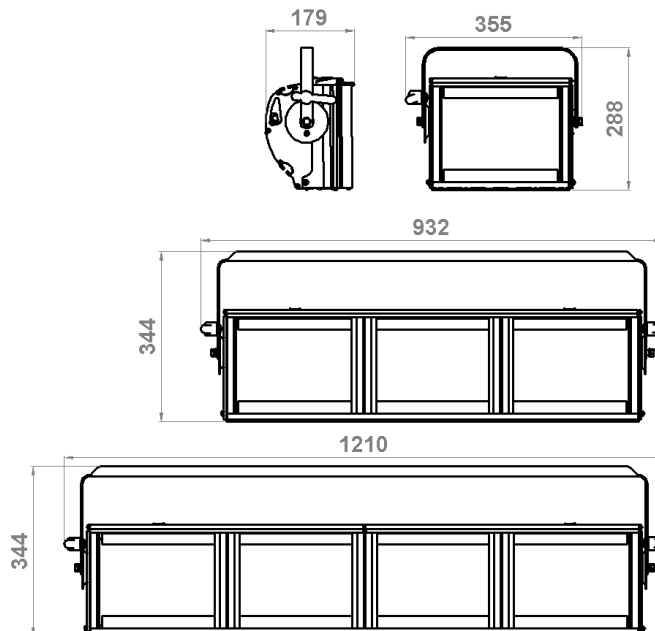


Physical Data

Single **3-way** **4-way**
Weight: 4.1kg 10.7kg 14kg

Colour frame size: 265mm x 203mm

Included: 1x colour frame per cell, 1x M12 suspension bolt set and instruction leaflet.



Philips Selecon reserves the right to change the specifications without notice (October 2011).

PHILIPS
Selecon